

Unique controls

Compact and manoeuvrable

Robust and reliable

Low maintenance
and repair costs



AM 20

Hand pallet truck (2,000 kg)

The AM 20 hand pallet truck is the ideal warehouse assistant for all manual transportation over short distances. Various advantages include:

- Easy to operate controls – equally comfortable for left and right-handed operators. Manoeuvring with one hand on the tiller arm is both comfortable and safe.
- Short front-end length – offering maximum manoeuvrability in restricted conditions.

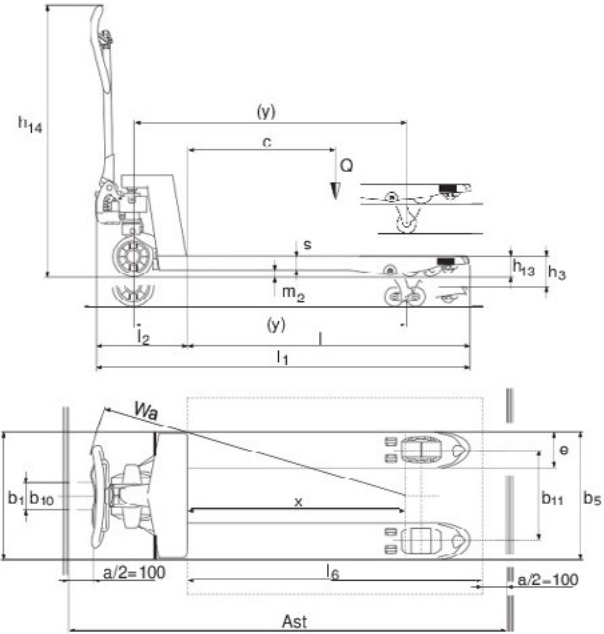
Chromed wheel and joint bushings allow easy pulling or pushing. They are permanently lubricated and therefore maintenance-free.

The AM 20 has a powerful hydraulic pump with externally mounted hydraulic tank for outstanding ease of maintenance.

A selection of different tyres and roller options guarantees optimum use with all ground conditions.

**JUNGHEINRICH**

AM 20



Technical data in line with VDI 2198

Identification	1.1	Manufacturer (abbreviation)		Jungheinrich
	1.2	Model		AM 20
	1.3	Drive		manual
	1.4	Manual, pedestrian, stand-on, seated, order picker operation		hand
	1.5	Load capacity/rated load	Q t	2
	1.6	Load centre distance	c mm	600
	1.8	Load distance	x mm	882
	1.9	Wheelbase	y mm	1,120
	Weights	2.1	Net weight	kg
2.2		Axle loading, laden front/rear	kg	549 / 1,521
2.3		Axle loading, unladen front/rear	kg	46 / 24
Wheels / frame	3.1	Tyres		C,V,N
	3.2	Tyre size, front	mm	Ø 200 x 50
	3.3	Tyre size, rear	mm	Ø 82 x 93 Ø 82 x 70
	3.5	Wheels, number front/rear (x = driven wheels)		2/2 2/4
	3.6	Tread width, front	b ₁₀ mm	130
	3.7	Tread width, rear	b ₁₁ mm	380
	Basic dimensions	4.4	Lift	h ₃ mm
4.9		Height of tiller in drive position min. / max.	h ₁₄ mm	1,230
4.14		Standing height raised	h ₁₂ mm	200
4.15		Height, lowered	h ₁₃ mm	85
4.19		Overall length	l ₁ mm	1,540
4.20		Length to face of forks	l ₂ mm	390
4.21		Overall width	b ₁ /b ₂ mm	540
4.22		Fork dimensions	s/e/l mm	48 / 160 / 1,150
4.25		Width across forks	b ₅ mm	540
4.32		Ground clearance, centre of wheelbase	m ₂ mm	37
4.33		Aisle width for pallets 1000 x 1200 crossways	A _{st} mm	1,743
4.34	Aisle width for pallets 800 x 1200 lengthways	A _{st} mm	1,793	
4.35	Turning radius	W _a mm	1,275	
Performance data	5.3	Lowering speed, laden/unladen	m/s	0.1 / 0.06

Benefit from the advantages



Ergonomic operating handle



Maintenance-free hydraulics



Permanently lubricated joints for maintenance-free operation



Easy steering thanks to the ball bearing of the piston rod

Easy to operate

Easy to operate controls are suitable for both left and right-handed operators. The special lowering valve enables loads to be lowered precisely.

Compact and manoeuvrable

The chassis length of just 390 mm allows for reliable and easy operation, even in very confined spaces.

Effortless and simple

The optimised hydraulic system minimises the required pumping force. The bushes on the wheels reduce the

required drawbar pull.

The piston rod is supported at the pivot point by a high-quality ball bearing. This provides less rotational resistance, easier steering capability and reduced wear. The entry and outfeed rollers facilitate the crossing of thresholds and simplify entry into the pallet.

Quiet and fitted with bushes

The chromed bushes on the wheels and joints guarantee an exceptionally long service life. Joints no longer require lubrication; despite this, the AM 20 still runs smoothly and reliably.

Durable

Strong forks. Welded tiller mounting. Protected entry rollers. The frame is of a particularly high-quality welded design in sectional steel, and is torsion-resistant and extremely durable. It does not even distort at full load. The best prerequisites for maximum stability and durability.

Equipment

The AM 20 can be optimally equipped for every ground type and application due to its different tyre and roller options.

Jungheinrich UK Ltd.

Head Office:
Sherbourne House
Sherbourne Drive
Tilbrook
Milton Keynes MK7 8HX
Telephone 01908 363100
Fax 01908 363180

info@jungheinrich.co.uk
www.jungheinrich.co.uk

The German production facilities in Norderstedt, Moosburg and Landsberg are certified. **ISO 9001**
ISO 14001

Jungheinrich fork lift trucks meet European safety requirements.



JUNGHEINRICH